

SIGMA R19

SPECIFICATIONS

PHYSICAL DIMENSIONS

Overall dimensions

465mm x 440mm x 680mm

(Including cables)

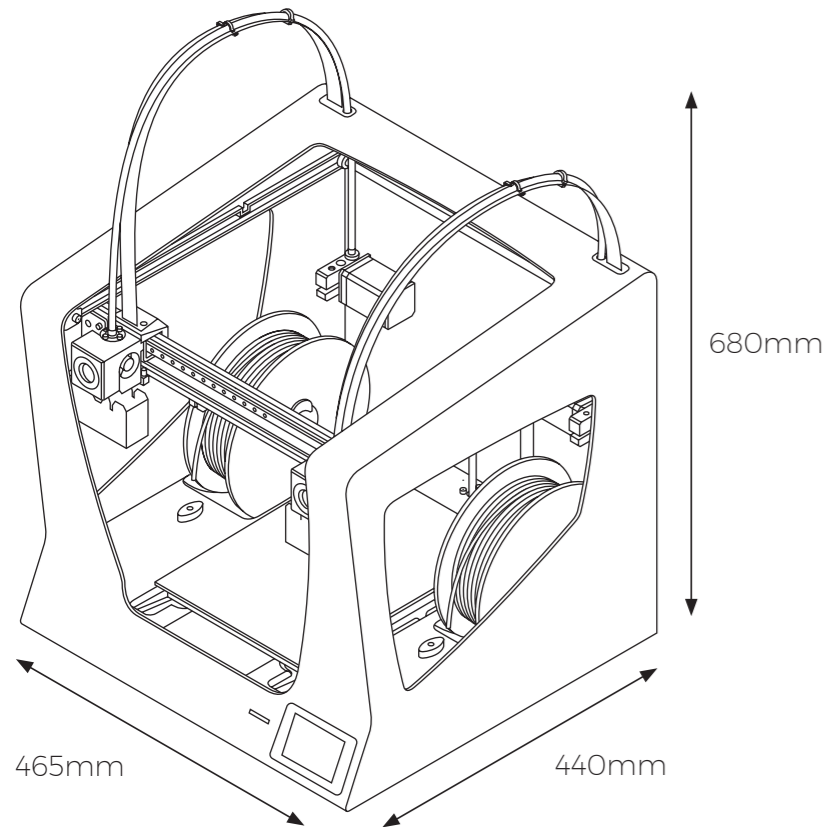
Weight: **15 kg**

(without filament spools)

Shipping box dimensions

550mm x 570mm x 674mm

Shipping weight: **21 kg**



PRINTER PROPERTIES

Architecture

Independent Dual Extruder

(IDEX)

Technology

Fused Filament Fabrication (FFF)

Build Volume

210mm x 297mm x 210mm

Extruders

2

Warranty

2 years for EU countries. 1 year for non-EU countries.

Extruder system

Extruder: Bondtech™ high-tech dual drive gears.

Hotends: Optimized and manufactured by e3D™.

Printing Modes

Simple

Dual - IDEX

Duplication

Mirror

Electronics

BCN3D Electronics v1.0

Independent Stepper Drivers

Firmware

BCN3D Sigma - Marlin

Heated bed

PCB

Screen

Full Color Capacitive Touchscreen

Supported files

gcode

Operating Sound

50 dBA

Nozzle diameter

0,3mm / 0,4mm (Standard) / 0,5mm (Special) / 0,6mm / 0,8mm / 1,0mm

Certifications

CE / FCC

Connectivity

SD Card (autonomous)

USB

PRINTING PROPERTIES

Layer height

0,05 - 0,5mm

(depending on the nozzle diameter)

Positioning resolution (X/Y/Z)

1,25µm / 1,25µm / 1µm

Operating temperature

15°C - 35°C

Extruder maximum temperature

290°C

SOFTWARE

File preparation software

BCN3D Cura (recommended), Simplify3D, Slic3r

Operative Systems

Windows, Mac, Linux

Supported files

STL, OBJ, AMF

Heated bed max. temperature

100°C

ELECTRIC PROPERTIES

Input

AC 84-240V, AC 3,6-1,3A, 50-60Hz

Output

24V DC, 13A

Power Consumption

240W

MATERIALS

Filament diameter

2,85 +/- 0,05 mm

Compatible Materials

PLA

NYLON

PET-G

ABS

TPU

PVA

Composites

Others